

The Religious School Parent Handbook & Calendar




CONGREGATION
B'NAI JESHURUN
Established in 1848

2011 – 2012

5772

1025 South Orange Avenue, Short Hills, NJ 973-379-3177



ברוכים הבאים

Baruchim Ha'Ba'im!

Welcome!

August, 2011

Av-Elul 5771

Welcome to Congregation B'nai Jeshurun. Our program strives to engender a love and understanding of Judaism in our students. We emphasize a caring environment and programming dedicated to the Jewish educational enrichment of our students and their families, from kindergarteners through twelfth graders.

This year's **calendar handbook** is for you to use **throughout the school year**. The calendar format should help you mark and notice all new program announcements, schedules and **important dates, and phone numbers**. Included in these pages are the answers to many of the questions you might have about school.

However, no handbook can take the place of regular communication between parents and teachers. Please keep in close touch with us during the year so that together we can provide the best experience possible for your child. Each family's Jewish journey is unique and special, yet made of the same threads of connection. We are partners in the weaving of these threads. Let us work together to achieve all that we can.

If there are ever any special circumstances involving your child or your family, we will do everything in our power to accommodate you; we only need to be properly informed. Therefore, please update us on any such changes as soon as possible. We want this to be an incredible year for our entire TBJ Family.

Along with Alison Ventrella, our Religious School Administrative Assistant, we wish you a wonderful year of learning and growing.

B'shalom,



Abra P. Lee
Director of Religious School



Christina Broussard
Assistant Director of Religious School



September 2011

אלול תש"א - תשרי תשע"ב

August 2011							October 2011						
S	M	T	W	T	F	S	S	M	T	W	T	F	S
31	1	2	3	4	5	6	25	26	27	28	29	30	1
7	8	9	10	11	12	13	2	3	4	5	6	7	8
14	15	16	17	18	19	20	9	10	11	12	13	14	15
21	22	23	24	25	26	27	16	17	18	19	20	21	22
28	29	30	31	1	2	3	23	24	25	26	27	28	29
							30	31	1	2	3	4	5

Sunday	Monday	Tuesday	Wednesday	Thursday	Friday	Saturday
				אלול ב 1	ג 2 5:30 PM Erev Shabbat Worship	ד 3 10:30 AM B'nai Mitzvah Samantha Marcus & Noah Sellinger
ה 4	ו 5 LABOR DAY TEMPLE OFFICES CLOSED	ז 6	ח 7	ט 8	י 9 5:30 PM Erev Shabbat Worship	יא 10 9:00 AM Bat Mitzvah Tori Silberfein 10:30 AM Bat Mitzvah Amanda Reisman
יב 11 9:30 AM Sunday Madrichim Seminar 12:30 PM NFTY - GER Leadership Training Institute (Tinton Falls, NJ)	יג 12 4:00 PM Monday Madrichim Seminar 6:30 PM FBMC 6:30 PM Chai School Opening BBQ	יד 13 4:00 PM Tuesday Madrichim Seminar	טו 14	טז 15	יז 16 5:45 PM Family Shabbat 7:00 PM Erev Shabbat Worship	יח 17 10:30 AM B'nai Mitzvah Stefani Plissner & Eric Silverstein Kimat JeshTY/JeshTY Event (8th-12th Gr.)
יט 18 First Day of Religious School 9:30 AM Religious School (Kgn-5th Gr.)	כ 19 4:00 PM Religious School (3rd - 7th Gr.) 6:30 PM Chai School (8th - 12th Gr.) 6:30 PM FBMC	כא 20 4:00 PM Religious School (3rd - 7th Gr.)	כב 21	כג 22 4:30 PM Religious School (6th Gr.)	כד 23 5:30 PM Erev Shabbat Worship	כה 24 SELICHOT 10:30 AM B'nai Mitzvah Adam Margolis Isabel Portnoi
					NFTY-GER New Member Kallah (Camp Kutz - Warwick, NY)	
כו 25 9:30 AM Religious School (Kgn - 5th Gr.)	כז 26 4:00 PM Religious School (3rd - 7th Gr.) 6:30 PM FBMC 6:30 PM Chai School (8th - 12th Gr.)	כח 27 4:00 PM Religious School (3rd - 7th Gr.)	כט 28 EREV ROSH HASHANAH 5:30 PM Erev Rosh HaShanah Service	תשרי א תשע"ב 29 ROSH HASHANAH 8:30 AM Family Service 10:00 AM Rosh HaShanah Morning & Youth Programs	ב 30 5:30 PM Erev Shabbat Worship	
...NFTY-GER New Member Kallah						

Philosophy of TBJ Religious School

Our Religious School is created to best educate our students and their families in the most interactive and exciting way possible. Our primary goal is to teach Judaism to all of our children and their families. Most importantly, our school attempts to instill a love of Judaism in all students that will continue to grow and develop. A child who participates in our entire Religious School program should complete the process with an excellent overview of the most important and significant aspects of Judaism from a Reform perspective, as well as ways in which to further develop their own Jewish identity.

We hope there will be a constant dialogue between teachers and parents. If you have a question or an issue to discuss with one of your child's teachers, please be in touch with them directly and as soon as possible. To contact your child's teacher, call the school to leave a message or email the teacher. Our teachers are here to work in partnership with you.

All faculty email addresses are
firstinitiallastname@tbj.org.
(i.e. Ms. Sue Bleiberg) sbleiberg@tbj.org.

Who and When

Our school programs meet as follows:

Jewish Studies

- Kindergarten – 5th Grade
 - Sunday mornings 9:30-11:30 am
- 6th Grade
 - Thursday afternoons 4:30-6:00 pm

Midweek Hebrew

- 3rd – 6th Grades
 - Monday or Tuesday afternoons 4:00-5:30 pm

7th Grade

- Monday or Tuesday afternoons 4:00-5:30 pm

Family *B'nai Mitzvah* Class (FBMC)

- 5 cycles of 4 consecutive Monday evenings from 6:30-8:00 pm, based on *b'nai mitzvah* dates
 - *Scheduled by the Assistant Rabbis' office.*

B'nai Mitzvah Lessons

- Monday/Tuesday afternoons between 4:00 & 5:30 pm
 - *By appointment and scheduled by the Cantor's office.*

Chai School

(Includes a casual dinner with clergy and educators)

- 8th – 12th Grade
 - Monday evenings 6:30 – 8:00 pm
- 10th Grade Confirmation
 - Monday evenings 6:30 – 8:00 pm

October 2011

תשרי תשע"ב - חשוון תשע"ב

September 2011							November 2011						
S	M	T	W	T	F	S	S	M	T	W	T	F	S
28	29	30	31	1	2	3	30	31	1	2	3	4	5
4	5	6	7	8	9	10	6	7	8	9	10	11	12
11	12	13	14	15	16	17	13	14	15	16	17	18	19
18	19	20	21	22	23	24	20	21	22	23	24	25	26
25	26	27	28	29	30	1	27	28	29	30	1	2	3

Sunday	Monday	Tuesday	Wednesday	Thursday	Friday	Saturday
						תשרי ג 10:30AM B'nai Mitzvah Thomas Falus & Ilana Nemerow
ד 9:30 AM Religious School (Kgn - 5th Gr.) KatanTY Event (2nd & 3rd Gr.)	ה 4:00 PM Religious School (3rd - 7th Gr.) 6:30 PM FBMC 6:30 PM Chai School (8th - 12th Gr.)	ו 4:00 PM Religious School (3rd - 7th Gr.)	ז 4:30 PM Religious School (6th Gr.)	ח 8:00 PM Kol Nidre	ט 8:00 PM Kol Nidre	י YOM KIPPUR 8:30 AM Family Service 10:00 AM Yom Kippur Youth Program & Morning Service 3:00 PM Afternoon Service 5:30 PM Final Shofar Blast
יא NO RELIGIOUS SCHOOL	יב 4:00 PM Religious School (3rd - 7th Gr.) 6:30 PM Chai School (8th - 12th Gr.)	יג 4:00 PM Religious School (3rd - 7th Gr.)	יד EREV SUCCOT 5:30 PM Consecration Service 6:30 PM WA & Brotherhood Succot Picnic	טו TEMPLE OFFICES CLOSED 4:30 PM Religious School (6th Gr.) Special Succot Program	טז 5:30 PM Erev Shabbat Worship	יז 9:30 AM Family Shabbat 10:30 AM B'nai Mitzvah David Braunstein & Matthew Myers GadolTY Event (4th & 5th Gr.)
National Bullying Prevention and Awareness Week						
יח 9:30 AM Religious School (Kgn - 5th Gr.)	יט 4:00 PM Religious School (3rd - 7th Gr.) 6:30 PM Chai School (8th - 12th Gr.)	כ 4:00 PM Religious School (3rd - 7th Gr.)	כא 5:30 PM Simchat Torah Service	כב TEMPLE OFFICES CLOSED NO RELIGIOUS SCHOOL 10:30 AM Shmini Atzeret Yizkor	כג 7:00 PM Erev Shabbat Worship	כד 10:30 AM B'nai Mitzvah Marielle Rogoff & Chloe Kent JeshTY Event (9th - 12th Grades)
כה 9:30 AM Religious School (Kgn - 5th Gr.) MitzvotTY Event (6th & 7th Gr.)	כו 4:00 PM Religious School (3rd - 7th Gr.) 3rd Grade Havdallah Workshop 6:30 PM Chai School (8th - 12th Gr.)	כז 4:00 PM Religious School (3rd - 7th Gr.) 3rd Grade Havdallah Workshop	כח	כט 4:30 PM Religious School (6th Gr.)	ל 5:30 PM Erev Shabbat Worship	חשוון א 10:30 AM Bar Mitzvah Max Miner
ב 9:30 AM Religious School (Kgn - 5th Gr.)	ג 4:00 PM Religious School (3rd - 7th Gr.) 6:30 PM Chai School (8th - 12th Gr.)					



Family Shabbat

Family *Shabbat* services will be held once a month on *Shabbat* mornings. Your family is invited to join our clergy and educators for *Shabbat* worship and *Torah* study specifically geared toward families with students in grades Kindergarten – 6th grade. All families are welcome to experience *Shabbat* services with us every month. Families will be expected to attend at least two (2) of the Family *Shabbat* services during the year. Please check the curriculum chart at the end of this handbook or on the calendar for specific dates.

We hope that the schedule for our Religious School will accommodate our TBJ families and create a wonderful, educational program. However, we recognize that unique circumstances exist and we are happy to address special situations with individual families.

Curricular Enrichment

On Sunday mornings, students have a variety of opportunities to enhance their Religious School experience by participating in special activities.

T'Fillah / תפילה -

Prayer Services

During Sunday sessions our students will participate in age-appropriate creative prayer experiences. Midweek services will be lead for our 3rd - 7th graders by members of the clergy. Midweek *t'fillah* will focus on the main components of the service, as well as a review of *Parashat haShavuah*, the weekly *Torah* portion, and upcoming holidays. Students will practice reading Hebrew and have the opportunity to participate in age-appropriate worship experiences.

Hebrew Readiness/ עברית - Ivrit

Since we recognize the importance of learning Hebrew from a very young age, we introduce our younger students to Hebrew on a regular basis. Our Hebrew specialist will visit our Kindergarten, 1st and 2nd grade classrooms to teach them the *aleph-bet* and basic Hebrew vocabulary.

Music/ שירה - Shirah

Music is fully integrated into the Religious School program. Students will be exposed to music during song sessions and worship services, and will enjoy special music during holidays and other significant occasions. We are proud to provide exciting opportunities to learn age-appropriate Jewish melodies by contemporary Jewish artists.

The Art Studio/ אמנות - Omanut

The art studio is meant to complement the curriculum goals of the school. Each grade will work on several art projects throughout the year connected to the themes of their class studies.

Special Needs

In our ongoing effort to meet the needs of all the children and families who are part of our TBJ community, we are continually expanding our educational program to accommodate the diverse learning needs of the Temple's children. If your child has special needs, be it learning, emotional or behavioral, we ask that you inform the Religious School. The Director will work with each family, along with our *Mercaz* (Learning Center) coordinator, to determine the best learning plan for every child.

November 2011

חשוון תשע"ב - כסלו תשע"ב

October 2011							December 2011						
S	M	T	W	T	F	S	S	M	T	W	T	F	S
25	26	27	28	29	30	1	27	28	29	30	1	2	3
2	3	4	5	6	7	8	4	5	6	7	8	9	10
9	10	11	12	13	14	15	11	12	13	14	15	16	17
16	17	18	19	20	21	22	18	19	20	21	22	23	24
23	24	25	26	27	28	29	25	26	27	28	29	30	31
30	31	1	2	3	4	5							

Sunday	Monday	Tuesday	Wednesday	Thursday	Friday	Saturday
		ד 1 4:00 PM Religious School (3rd - 7th Gr.)	ה 2	ו 3 4:30 PM Religious School (6th Gr.)	ז 4 5:30 PM Erev Shabbat Worship	ח 5 10:30 AM Bar Mitzvah Noah Ades
ט 6 9:30 AM Religious School (Kgn - 5th Gr.)	י 7 4:00 PM Religious School (3rd - 7th Gr.) 6:30 PM Chai School (8th - 12th Gr.) 7:00 PM Kristallnacht Speaker	יא 8 4:00 PM Religious School (3rd - 7th Gr.)	יב 9	יג 10 NO RELIGIOUS SCHOOL	יד 11 5:30 PM Erev Shabbat Worship	טו 12 9:30AM Family Shabbat 10:30AM B'nai Mitzvah Halley Buchalter & Max Lechtman
Interfaith Hospitality Network				NJEA Teacher's Convention ...		
טז 13 NO RELIGIOUS SCHOOL	יז 14 4:00 PM Religious School (3rd - 7th Gr.) 6:30 PM Chai School (8th - 12th Gr.)	יח 15 4:00 PM Religious School (3rd - 7th Gr.)	יט 16	כ 17 4:30 PM Religious School (6th Gr.)	כא 18 7:00 PM Erev Shabbat Worship	כב 19 10:30 AM Bat Mitzvah Arielle Brochin Kimat JeshTY/JeshTY Event (8th - 12th Gr.)
...
כג 20 9:30 AM Religious School (Kgn - 5th Gr.)	כד 21 4:00 Religious School (3rd - 7th Gr.) 6:30 PM Chai School (8th - 12th Gr.)	כה 22 4:00 PM Religious School (3rd - 7th Gr.)	כו 23	כז 24 Thanksgiving Temple Offices Closed NO RELIGIOUS SCHOOL	כח 25 Temple Offices Closed 5:30 PM Erev Shabbat Worship	כט 26 10:30AM B'nai Mitzvah Sara Bressler & Zachary Horowitz NFTY-GER Homecoming (Edison, NJ)
ל 27 NO RELIGIOUS SCHOOL	מ 28 4:00 PM Religious School (3rd - 7th Gr.) 6:30 PM Chai School (8th - 12th Gr.)	מג 29 Women's Association Boutique & ECC Book Fair 4:00 PM Religious School (3rd - 7th Gr.) <u>WALK IN PICK UP</u>	מד 30			

TEMPLE YOUTH

2011-2012/5772

As Reform Judaism continues to explore the best ways to teach and reach our children, we recognize the importance of combining formal religious education (Religious School) with experiential learning opportunities, such as Jewish Camping and Youth Group. We strive to provide social, religious and cultural learning opportunities and social action programming, through our various youth groups.

Youth Groups

KatanTY- 2nd and 3rd Graders – *Katan* means “small”. This group inspires our youngest participants. Most programs will take place following Sunday classes.

GadolTY- 4th and 5th Graders – *Gadol* means “big”. This group continues the journey for our older elementary level students. Program times and locations vary.

MitzvoTY- 6th and 7th Graders - A social action corps for b’nai mitzvah students. Program times and locations vary.

Kimat JeshTY- 8th Graders- *Kimat* means “almost”. This is an introductory group for 8th graders to sample high school youth programs.

JeshTY- 9th -12th Graders- The Jeshurun Temple Youth group is for our oldest participants and includes membership in NFTY, the North American Federation of Temple Youth, our Reform movement’s youth program.

JeshTY Executive Board

President – Alyssa Weinstein

Executive VP – Melanie Sellinger

Social Action VP – Emily Kamen

Religious and Cultural VP – Rachel Brisgel

Membership VP – Rachel Sellinger

Correspondance VP – Stephanie Shaw

NFTY-GER Representative – Sayde Slobodien

Publicity Chair – Jonathan Freinberg

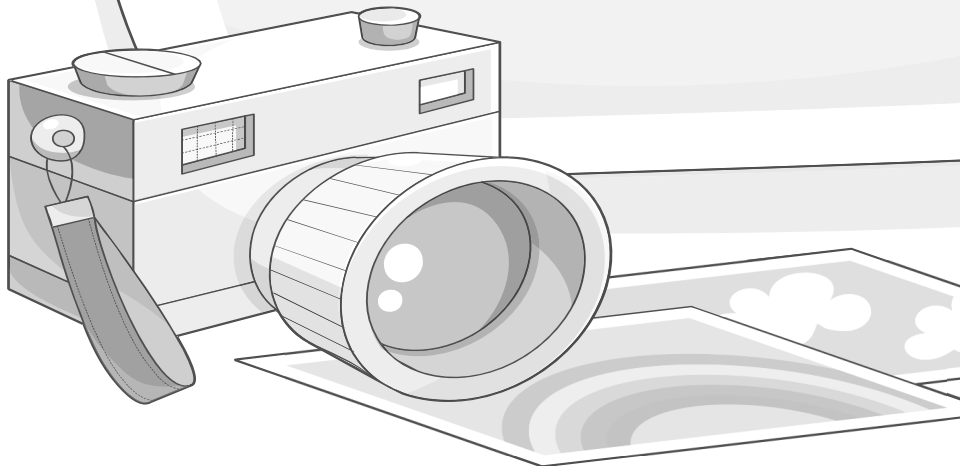
Kimat JeshTY Liaison – Benjamin Dantowitz

12th Grade Representative – Erin Lustbader

11th Grade Representative – Rebecca Farber

10th Grade Representative – Alex Russell

9th Grade Representative – Ethan Siegel



December 2011

כסלו תשע"ב - טבת תשע"ב

November 2011							January 2012						
S	M	T	W	T	F	S	S	M	T	W	T	F	S
30	31	1	2	3	4	5	1	2	3	4	5	6	7
6	7	8	9	10	11	12	8	9	10	11	12	13	14
13	14	15	16	17	18	19	15	16	17	18	19	20	21
20	21	22	23	24	25	26	22	23	24	25	26	27	28
27	28	29	30	1	2	3	29	30	31	1	2	3	4

Sunday	Monday	Tuesday	Wednesday	Thursday	Friday	Saturday
				ה 1 4:30 PM Religious School (6th Gr.)	ו 2 5:30 PM Erev Shabbat Worship	ז 3 10:30 AM Bar Mitzvah Oliver Cohen GadolTY Event (4th & 5th Gr.)
Confirmation Class Trip (Religious Action Center - Washington, D.C.)						
ה 4 9:30 AM Religious School (Kgn - 5th Gr.) MitzvotTy Event (6th & 7th Gr.)	ו 5 4:00 PM Religious School (3rd - 7th Gr.) 6:30 PM Chai School (8th - 12th Gr.)	ז 6 4:00 PM Religious School (3rd - 7th Gr.)	ח 7	ט 8 4:30 PM Religious School (6th Gr.)	י 9 5:30 PM Erev Shabbat Worship	יא 10 9:30 AM Family Shabbat 10:30 AM B'not Mitzvah Anna Fishman & Alexandra Lange JeshTY Event (9th - 12th Gr.)
Confirmation Class Trip (Religious Action Center - Washington, D.C.)						
ב 11 9:30 AM Religious School (Kgn - 5th Gr.) KatanTY Event (2nd & 3rd Gr.) 4:00 PM Brotherhood Chanukah Lego Party	ג 12 4:00 PM Religious School (3rd - 7th Gr.) 6:30 PM Chai School (8th - 12th Gr.)	ד 13 4:00 PM Religious School (3rd - 7th Gr.)	ה 14	ו 15 4:30 PM Religious School (6th Gr.)	ז 16 7:00 PM Erev Shabbat Worship	ח 17
URJ Biennial - Washington, D.C....						
ט 18 9:30 AM Religious School (Kgn - 5th Gr.)	י 19 No Religious School (3rd - 7th Gr.) 6:30 PM Chai School (8th - 12th Gr.)	יא 20 Chanukah - 1st Candle NO RELIGIOUS SCHOOL	יב 21 Chanukah - 2nd Candle	יג 22 Chanukah - 3rd Candle NO RELIGIOUS SCHOOL	יד 23 Chanukah - 4th Candle 5:30 PM Erev Shabbat Worship	טו 24 Chanukah - 5th Candle
...URJ Biennial						
טז 25 Chanukah - 6th Candle NO RELIGIOUS SCHOOL	יז 26 Chanukah - 7th Candle Temple Office Closed NO RELIGIOUS SCHOOL	יח 27 טבת א Chanukah - 8th Candle NO RELIGIOUS SCHOOL	יט 28 ב Chanukah	כ 29 ג NO RELIGIOUS SCHOOL	כא 30 ד 5:30 PM Erev Shabbat Worship	כב 31 ה
NFTY-GER Winter Kallah (Camp Harlam- Kunkletown, PA)						

RELIGIOUS SCHOOL POLICIES

Attendance

Regular attendance is essential. We ask for your cooperation in helping us reach our educational goals. Please encourage your children to attend every session. Students need to arrive at school on-time and remain through the end of the session. Students who miss class must contact their teacher regarding the missed lessons. Children in the 3rd grade or above who miss more than 30% of the classes, will be expected to complete missed assignments or special projects in order to matriculate into the next grade.

Class Assignments

Students are placed in classes by the Director and the school faculty, taking into account the learning needs of each child. Please understand that much time and energy is spent determining class placement and we always attempt to do what is best for each child.

Discipline

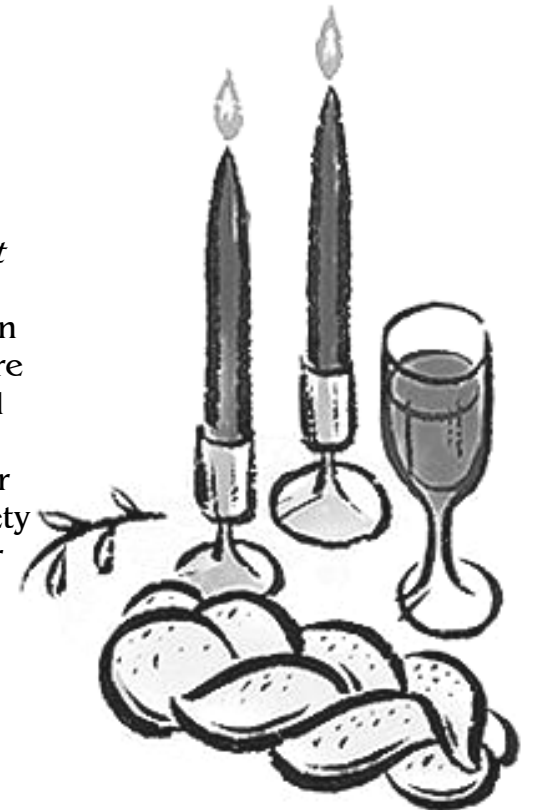
Though we expect excellent behavior from all of our students, we recognize that, on occasion, we may have students who need redirection in our classrooms. If a teacher has a discipline challenge with a child, that child will be sent to the Director. If the Director deems it necessary, a conference will be arranged with the parents and the teacher. Often a teacher will call a parent directly in order to communicate such issues with the parent before the situation escalates. All students will be expected to sign our *B'rit Kehillah*, our community covenant of *kavod*: "respect".

Avodah Expectation/ Shabbat Service Attendance

Services are a special time at B'nai Jeshurun and participation helps our students see their studies in action. Therefore, we ask our families to attend a certain number of services based upon their grade level. Beginning in Kindergarten and 1st grade, students are expected to attend at least one (1) service during the year, in 2nd grade two services (2), adding one (1) service each year up to 7th grade, with an expectation of seven (7) services. Families are welcome to worship with us *erev Shabbat*, (Friday night), *Shabbat* morning or at our monthly family service. Following services, students will fill out an attendance card in the Religious School office to receive credit.

Dress

Appropriate attire is requested for *Shabbat* and festival services. Shorts, torn jeans, open sandals and flip-flops are not permitted. School appropriate attire is expected for all regular class sessions. For safety purposes, no cleats or shoes with wheels are permitted.



January 2012

טבת תשע"ב - שבט תשע"ב

December 2011							February 2012						
S	M	T	W	T	F	S	S	M	T	W	T	F	S
27	28	29	30	1	2	3	29	30	31	1	2	3	4
4	5	6	7	8	9	10	5	6	7	8	9	10	11
11	12	13	14	15	16	17	12	13	14	15	16	17	18
18	19	20	21	22	23	24	19	20	21	22	23	24	25
25	26	27	28	29	30	31	26	27	28	29	1	2	3

Sunday	Monday	Tuesday	Wednesday	Thursday	Friday	Saturday
א 1 NO RELIGIOUS SCHOOL	ב 2 Temple Offices Closed NO RELIGIOUS SCHOOL	ג 3 NO RELIGIOUS SCHOOL	ד 4	ה 5 NO RELIGIOUS SCHOOL	ו 6 5:30 PM Erev Shabbat Worship	ז 7 10:30 AM Bat Mitzvah Ally Langendorff
ח 8 9:30 AM Religious School (Kgn - 5th Gr.) 11:45 AM Sunday Madrichim Seminar	ט 9 4:00 PM Religious School (3rd - 7th Gr.) 5:30 PM Monday Madrichim Seminar 6:30 PM Chai School (8th - 12th Gr.)	י 10 4:00 PM Religious School (3rd - 7th Gr.) 5:30 PM Tuesday Madrichim Seminar	יא 11	יב 12 4:30 PM Religious School (6th Gr.)	יג 13 5:30 PM Erev Shabbat Worship	יד 14 9:30AM Family Shabbat
טו 15 NO RELIGIOUS SCHOOL	טז 16 Temple Offices Closed NO RELIGIOUS SCHOOL	טז 17 NO RELIGIOUS SCHOOL	יז 18	יח 19 4:30 PM Religious School (6th Gr.)	יט 20 7:00 PM Erev Shabbat Worship	כ 21 10:30 AM Bat Mitzvah Julia Gabay Kimat JeshTY/JeshTY Event (8th - 12th Gr.)
כא 22 9:30 AM Religious School (Kgn - 5th Gr.)	כב 23 4:00 PM Religious School (3rd - 7th Gr.) NO CHAI SCHOOL 6:30 PM FBMC	כג 24 4:00 PM Religious School (3rd - 7th Gr.)	כד 25 שבט א	כה 26 4:30 PM Religious School (6th Gr.) 5:45 PM 6th Grade B'nai Mitzvah Orientation	כו 27 5:30 PM Erev Shabbat Worship	כז 28 GadolTY Event (4th & 5th Gr.)
כח 29 9:30 AM Religious School (Kgn - 5th Gr.) 11:00 AM Mitzvot of MetroWest (6th Gr.)	כט 30 4:00 PM Religious School (3rd - 7th Gr.) 6:30 PM FBMC 6:30 PM Chai School (8th - 12th Gr.)	ל 31 4:00 PM Religious School (3rd - 7th Gr.)				

Grade Promotion

Students are promoted to the next grade upon completion of the curriculum for their given grade. In order to preserve the integrity of our program, make-up assignments are expected of students with poor attendance.

Homework & Make-up Assignments

- Students attending midweek Hebrew classes will be asked to review their Hebrew approximately 10 minutes daily.
- Students may be asked to do an occasional project or assignment at home.
- We ask that parents of students who must miss a class contact the teacher regarding the missed lesson.
- Students in the 3rd grade and above, who have missed more than 30% of class sessions will be expected to complete missed assignments by the end of the semester.
 - If the assignments are not completed by that time, a cumulative project may be assigned to ensure the continuity of learning and progression through the curriculum of succeeding grade levels.

Open Door Policy

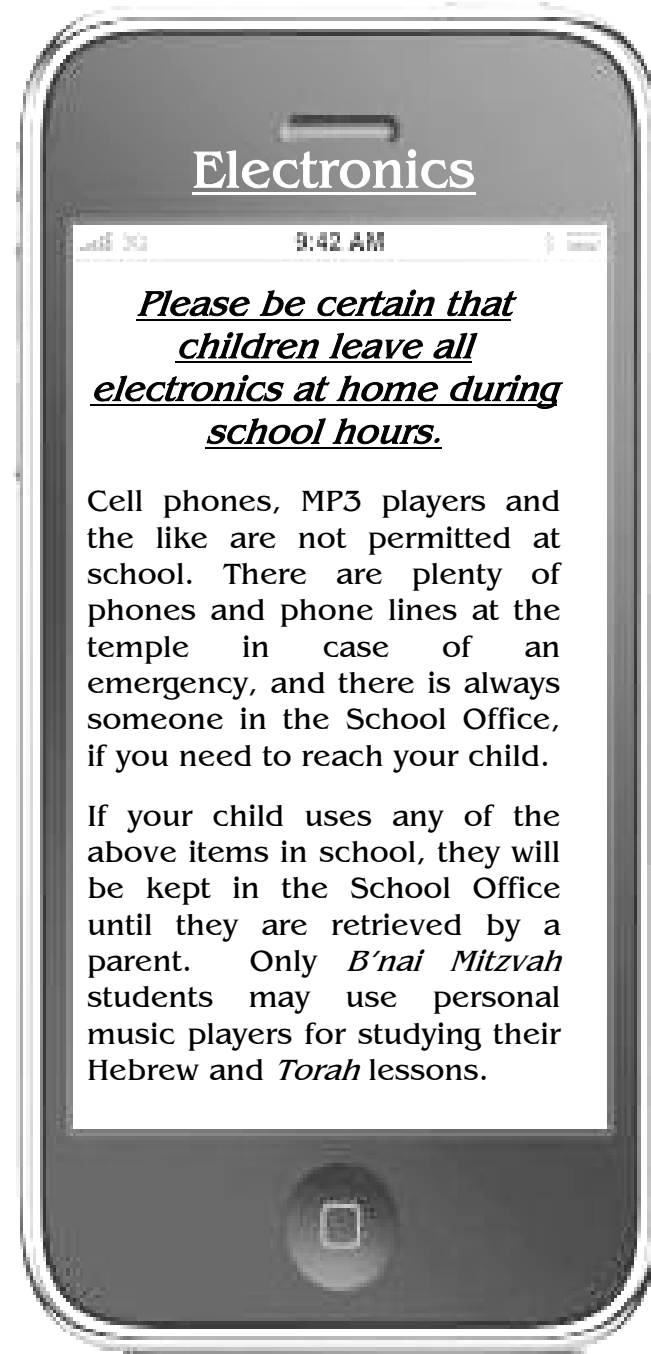
Parents are always welcome to visit our Religious School. If you are interested in speaking to a specific teacher, please contact that teacher directly. If you would like to meet with the Director, please call the temple during the week to arrange an appointment. We want to share the responsibility of educating your child with you.

Textbooks

If applicable, students will be given appropriate, necessary textbooks for their grade. If your child brings home textbooks or materials for practice, please keep them in a safe place and remind your child to bring them to each session. Most textbooks are meant to be written in and taken home at the end of the year. We cannot replace lost books; we will loan the student a replacement for the session. The cost to replace the book will be charged to the family if the book is not found.

Tzedakah

Though the Hebrew word *tzedakah* literally means "righteousness," it has come to be understood as giving to others. We invite all of our students to bring *tzedakah* on a weekly basis. At the end of each semester, students will choose where they would like their *tzedakah* money to be donated.



February 2012

שבט תשע"ב - אדר תשע"ב

January 2012							March 2012						
S	M	T	W	T	F	S	S	M	T	W	T	F	S
1	2	3	4	5	6	7	26	27	28	29	1	2	3
8	9	10	11	12	13	14	4	5	6	7	8	9	10
15	16	17	18	19	20	21	11	12	13	14	15	16	17
22	23	24	25	26	27	28	18	19	20	21	22	23	24
29	30	31	1	2	3	4	25	26	27	28	29	30	31

Sunday	Monday	Tuesday	Wednesday	Thursday	Friday	Saturday
			ה 1	ט 2 4:30 PM Religious School (6th Gr.)	י 3 5:30 PM Erev Shabbat Worship	יא 4 10:30 AM Bar Mitzvah Brandon Perry
יב 5 9:30 AM Religious School (Kgn - 5th Gr.) 11:00 AM Snow Day Mitzvot of MetroWest MitzvotTY Event (6th & 7th Gr.)	יג 6 4:00 PM Religious School (3rd - 7th Gr.) 6:30 PM FBMC 6:30 PM Chai School (8th - 12th Gr.)	יד 7 4:00 PM Religious School (3rd - 7th Gr.)	טו 8 Tu B'Shevat	טז 9 4:30 PM Religious School (6th Gr.)	יז 10 5:30 PM Erev Shabbat Worship	יח 11 9:30AM Family Shabbat JeshTY Event (9th - 12th Gr.)
					HUC Shusterman Outreach Weekend...	
יט 12 9:30 AM Religious School (Kgn - 5th Gr.) KatanTY Event (2nd & 3rd Gr.) ...HUC Weekend	כ 13 4:00 PM Religious School (3rd - 7th Gr.) 6:30 PM FBMC 6:30 PM Chai School (8th - 12th Gr.)	כא 14 4:00 PM Religious School (3rd - 7th Gr.)	כב 15	כג 16 4:30 PM Religious School (6th Gr.)	כד 17 7:00 PM Erev Shabbat Worship	כה 18
כו 19 NO RELIGIOUS SCHOOL	כז 20 Temple Offices Closed NO RELIGIOUS SCHOOL	כח 21 NO RELIGIOUS SCHOOL	כט 22	ל 23 NO RELIGIOUS SCHOOL	אדר א 24 5:30 PM Erev Shabbat Worship	ב 25
ג 26 NO RELIGIOUS SCHOOL	ד 27 4:00 PM Religious School (3rd - 7th Gr.) 6:30 PM Chai School (8th - 12th Gr.)	ה 28 4:00 PM Religious School (3rd - 7th Gr.)	ו 29			

Drop-Off & Dismissal Procedures



Early Dismissal

Any student who needs to leave class early must:

- Bring a note from their parent to the School Office at the beginning of school. It will be signed by the Director or the Administrative Assistant and given to the teacher who will send the child to the security desk at the appointed time.
- **Have a parent sign an early dismissal sheet with the Security Director before leaving with the child.**

If a child does not attend at least 90 minutes of the Sunday session or 60 minutes of the midweek session, they will not be given credit for that day.

Drop-Off and Pick-Up

The health and safety of all of our children is our highest priority and we need your consistent help and cooperation in this matter.

- Please **do not use a cell phone while driving on temple grounds.**
- Please follow the signs for the school entrance, the posted speed limit, and for legal and illegal parking spaces.
- Please do not use the accessible parking spaces unless you are legally allowed to do so.
- Please park only in spaces that are “legal” and not reserved for use by a Staff member.

Sunday Mornings

On opening day Sunday, September 18th, ***ALL*** parents are to park their cars in the parking lot and accompany their children to class.

With the exception of opening day and special programs, there are two options for Sunday morning drop off.

1. Parents may either park their cars in the parking lot and walk their children inside or
2. Parents may drop off their children and/or carpools at the front doors.
 - a. Parents of students in Kindergarten, 1st and 2nd grade are encouraged to walk their children to their classrooms for the first several weeks.

At dismissal time, parents of older students (3rd–12th grades) may wait in the carpool pick-up line. ***Students are not permitted to walk down to the parking lot without an adult.*** Drivers must pull all the way to the flag, must stay in line, and wait for the driver in front to move and exit. It is dangerous for cars to pull around each other. Students must enter cars from the passenger side only.

Parents of younger students (Kindergarten - 2nd grades) must either park their cars in the parking lot and walk inside to pick-up their child or they may send an older student to pick-up the younger student and accompany them to the carpool pick-up line. *Due to safety concerns, there will be no exceptions to this policy.*

Midweek & *Chai* School: Parents may drop-off and pick-up their children in the carpool pick-up line by following the above rules for Sunday mornings. Any parent who needs to come into the temple must park their car in the parking lot.

March 2012

אדר תשע"ב - ניסן תשע"ב

February 2012							April 2012						
S	M	T	W	T	F	S	S	M	T	W	T	F	S
29	30	31	1	2	3	4	1	2	3	4	5	6	7
5	6	7	8	9	10	11	8	9	10	11	12	13	14
12	13	14	15	16	17	18	15	16	17	18	19	20	21
19	20	21	22	23	24	25	22	23	24	25	26	27	28
26	27	28	29	1	2	3	29	30	1	2	3	4	5

Sunday	Monday	Tuesday	Wednesday	Thursday	Friday	Saturday
				ז 1 4:30 PM Religious School (6th Grade)	ח 2 5:30 PM Erev Shabbat Worship – Night of Shabbat Dinners	ט 3 10:30AM B'nai Mitzvah Jack Kirshenbaum & Perry Schwartz Kimat JeshTY/ JeshTY Purim Shul-In (8th - 12th Grades)
					NFTY-GER Hagigah (Elberon, NJ)...	
י 4 9:30 AM Religious School (Kgn - 5th Gr.) 11:00 AM Megillah Reading 11:30 AM Purim Carnival ...NFTY-GER	יא 5 4:00 Religious School (3rd - 7th Gr.) 6:30 PM FBMC 6:30 PM Chai School (8th - 12th Gr.)	יב 6 4:00 PM Religious School (3rd - 7th Gr.)	יג 7	יד 8 Purim 4:30 PM Religious School (6th Gr.)	טו 9 5:30 PM Erev Shabbat Worship	טז 10 9:30AM Family Shabbat 10:30AM B'nai Mitzvah Kiara Prager & Charlie Shanker 7:30 PM Purimania
יז 11 9:30 AM Religious School (Kgn - 5th Gr.) KatanTY Event (2nd & 3rd Gr.)	יח 12 4:00 PM Religious School (3rd - 7th Gr.) 6:30 PM FBMC 6:30 PM Chai School (8th - 12th Gr.)	יט 13 4:00 PM Religious School (3rd - 7th Gr.)	כ 14	כא 15 4:30 PM Religious School (6th Gr.)	כב 16 7:00 PM Erev Shabbat Worship	כג 17 10:30AM B'nai Mitzvah Harrison Bloom & Zachary Ravitz GadolTY Event (4th & 5th Gr.)
כד 18 9:30 AM Religious School (Kgn - 5th Gr.)	כה 19 4:00 PM Religious School (3rd - 7th Gr.) 6:30 PM FBMC 6:30 PM Chai School (8th - 12th Gr.)	כו 20 4:00 PM Religious School (3rd - 7th Gr.)	כז 21	כח 22 4:30 PM Religious School (6th Gr.)	כט 23 5:30 PM Erev Shabbat Worship	ניסן א 24 10:30AM B'nai Mitzvah Jonah Hoffer, Zachary Hoffer & Jack Wheeler
ב 25 9:30 AM Religious School (Kgn - 5th Gr.)	ג 26 4:00 PM Religious School (3rd - 7th Gr.) 6:30 PM FBMC 6:30 PM Chai School (8th - 12th Gr.)	ד 27 4:00 PM Religious School (3rd - 7th Gr.)	ה 28	ו 29 4:30 PM Religious School (6th Gr.)	ז 30 5:30 PM Erev Shabbat Worship	ח 31 10:30 AM Bat Mitzvah Jessica Stier

Safety and Security

Our temple is designed to be a safe and secure place. Whenever school is in session, there is an officer near the front of the building to accompany children inside and be certain that our building remains a safe place. Therefore, if individuals other than parents will be picking up children, parents should call ahead of time or send a note to class so the teacher may inform the School Office.

In order to maintain a safe and secure learning environment we ask that parents do not allow children to bring pocket knives, or other dangerous implements, to school. If parents ever have reason to be concerned regarding the safety and security of the children at the Religious School, please notify the Director immediately.

Should a situation arise where the Director, Rabbis and/or the Executive Director of the temple deem the Temple not safe, parents will be notified and children will be removed from the temple premises.

health and safety



Emergency Evacuation Drills

On occasion, there may be drills in the Religious School to better prepare students in case of an emergency. Please **DO NOT** pick your child up from school in the middle of a drill. Teachers must count their students upon their return to the building. All students must be accounted for at all times.

For this reason, ANY student who is picked up early MUST BE signed out at our Reception/Security desk.

Medical Emergencies in School

In case of a medical emergency or sudden illness during school hours, parents will be notified immediately and the child will be given whatever medical attention is necessary. Only if a parent cannot be located, will the school use the signed medical forms to treat a child.

Reporting Student Progress

Throughout each semester, families of our students in Kgn-6th grade will be contacted by our Jewish Studies and Hebrew faculty regarding each child's progress here at B'nai Jeshurun. It is important that you communicate directly with your child's teacher and discuss this communication with your child. If you have any questions, please speak with either the teacher or the Director immediately.

Snow Days

School closings will be announced in several ways: We will automatically email you in the event of a school closure. You may call the Religious School at 973-379-3177, and follow the prompts for up-to-date school closing information. The same procedure will be followed for a snow cancellation on the day of a *Shabbat* Family Education Program.

If you have not yet provided us with an email address, and would like to be informed in this way, please email your address to aventrella@tbj.org, and request that it be added to our file.

Visitors

We are delighted when your children want to bring a guest. We ask that they bring the guest to the School Office and sign them in.

April 2012

March 2012							May 2012						
S	M	T	W	T	F	S	S	M	T	W	T	F	S
26	27	28	29	1	2	3	29		1	2	3	4	5
4	5	6	7	8	9	10	6	7	8	9	10	11	12
11	12	13	14	15	16	17	13	14	15	16	17	18	19
18	19	20	21	22	23	24	20	21	22	23	24	25	26
25	26	27	28	29	30	31	27	28	29	30	31	1	2

ניסן תשע"ב - אייר תשע"ב

Sunday	Monday	Tuesday	Wednesday	Thursday	Friday	Saturday
ט 1 NO RELIGIOUS SCHOOL NFTY-GER Elections (Spring Valley, NY)	י 2 NO RELIGIOUS SCHOOL	יא 3 NO RELIGIOUS SCHOOL	יב 4	יג 5 NO RELIGIOUS SCHOOL	יד 6 First Seder	טו 7 5:00PM Congregational Seder
טז 8 NO RELIGIOUS SCHOOL	יז 9 4:00 PM Religious School (3rd - 7th Gr.) 6:30 PM Chai School (8th - 12th Gr.)	יח 10 4:00 PM Religious School (3rd - 7th Gr.)	יט 11	כ 12 4:30 PM Religious School (6th Gr.)	כא 13 Temple Offices Closed 10:30 AM Passover Yizkor Service 5:30 PM Erev Shabbat Worship	כב 14 10:30AM B'nai Mitzvah Charlie Levison & Justin Meisner JeshTY Event (9th - 12th Gr.)
כג 15 9:30 AM Religious School (Kgn - 5th Gr.) KatanTY Event (2nd & 3rd Grades) MitzvotTY Event (6th & 7th Grades)	כד 16 4:00 PM Religious School (3rd - 7th Gr.) 6:30 PM Chai School (8th - 12th Gr.)	כה 17 4:00 PM Religious School (3rd - 7th Gr.)	כו 18	כז 19 Yom HaShoah 4:30 PM Religious School (6th Gr.)	כח 20 5:45 PM Family Shabbat 7:00 PM Erev Shabbat Worship	כט 21 10:30AM B'nai Mitzvah Jacob Bloch & Spencer Weiner
Interfaith Hospitality Network						
ל 22 NO RELIGIOUS SCHOOL	אייר א 23 NO RELIGIOUS SCHOOL	ב 24 NO RELIGIOUS SCHOOL	ג 25 Yom HaZikaron	ד 26 Yom HaAtzma'ut NO RELIGIOUS SCHOOL	ה 27 5:30 PM Erev Shabbat Worship	ו 28 10:30 AM Bar Mitzvah Jason Gudz
ז 29 NO RELIGIOUS SCHOOL	ח 30 4:00 PM Religious School (3rd - 7th Gr.) 6:30 PM Chai School (8th - 12th Gr.)					
NFTY-GER Spring Kallah						

General Goals of Congregation B'nai Jeshurun Religious School

To teach Jewish values of: Torah (learning), Avodah (worship), and Tikkun Olam (social justice);

To foster a positive Jewish identity and a connection with Eretz Yisrael (the land of Israel) and Klal Yisrael (the Jewish people).

Grade	Jewish Studies Curriculum	Hebrew Curriculum	Curricular Enrichment	Avodah Expectation	Family Shabbat
Kgn	<p>Jewish Holidays & the Synagogue: To understand the basic holidays; To learn the meaning of Jewish symbols; To learn about the members of our temple family; To see the synagogue as a second home</p>	<p><i>To learn Shabbat blessings, the Four Questions for the Pesach seder, and familiarity with the aleph-bet;</i> To learn Hebrew names of our important symbols; To introduce Hebrew for T'Fillah (prayer)</p>	<p>Literature Art Music <i>Tu B'Shevat & Pesach sederim</i> Tikkun Olam projects</p>	<p>Our Kindergarten students are asked to attend a minimum of 2 Shabbat services at TBJ during the school year</p>	<p>Kindergarten families are expected to attend two Family <i>Shabbat</i> services during the school year. <i>Shabbat</i> morning (9:30-11:30) 10/15, 11/12, 12/10, 1/14, 2/11, 3/10, 5/12 Erev <i>Shabbat</i> (5:45pm) 9/16 & 4/20</p>
1 st Grade	<p>Torah Stories: To be introduced to basic Torah stories; To understand that the Torah is the foundation for our stories</p>	<p>To recognize the letters of the aleph-bet; To learn some Hebrew names: Avraham, Sarah, Rivka, Leah. To introduce Hebrew for T'Fillah (prayer)</p>	<p>Literature Art Music <i>Tu B'Shevat & Pesach sederim</i> Tikkun Olam projects</p>	<p>Our First Grade students are asked to attend a minimum of 2 Shabbat services at TBJ during the school year</p>	<p>1st grade families are expected to attend two Family <i>Shabbat</i> services during the school year. <i>Shabbat</i> morning (9:30-11:30) 10/15, 11/12, 12/10, 1/14, 2/11, 3/10, 5/12 Erev <i>Shabbat</i> (5:45pm) 9/16 & 4/20</p>
2 nd Grade	<p>Jewish Values and Mitzvot: To be introduced to Jewish values; To learn the concept of mitzvot; To be introduced to God, and begin to explore a personal relationship with God</p>	<p>To introduce Hebrew vowels; To show how Hebrew is read; To develop simple decoding skills; To learn some of God's names: Elohim, Adonai., and Hebrew phrases for Jewish values & mitzvot including Kibbud, Ahavah</p>	<p>Literature Art Music <i>Tu B'Shevat & Pesach sederim</i> Tikkun Olam projects</p>	<p>Our Second Grade students are asked to attend a minimum of 2 Shabbat services at TBJ during the school year</p>	<p>2nd grade families are expected to attend two Family <i>Shabbat</i> services during the school year. <i>Shabbat</i> morning (9:30-11:30) 10/15, 11/12, 12/10, 1/14, 2/11, 3/10, 5/12 Erev <i>Shabbat</i> (5:45pm) 9/16 & 4/20</p>
3 rd Grade	<p>Torah & the Jewish Year: To understand the concepts and values of the haggim/Jewish holidays; To make connections between Torah stories and haggim/festivals</p>	<p>To read and write each of the Hebrew letters and vowels; To use meaningful words to teach decoding skills; To learn selected readings of key T'fillot (prayers) and Brachot (blessings)</p>	<p>Literature Art Music Multi-Media <i>Tu B'Shevat program Pesach program</i> Tikkun Olam projects</p>	<p>Our Third Grade students are asked to attend a minimum of 3 Shabbat services at TBJ during the school year</p>	<p>3rd grade families are expected to attend two Family <i>Shabbat</i> services during the school year. <i>Shabbat</i> morning (9:30-11:30) 10/15, 11/12, 12/10, 1/14, 2/11, 3/10, 5/12 Erev <i>Shabbat</i> (5:45pm) 9/16 & 4/20</p>

May 2012

אייר תשע"ב - סיון תשע"ב

April 2012							June 2012						
S	M	T	W	T	F	S	S	M	T	W	T	F	S
1	2	3	4	5	6	7	27	28	29	30	31	1	2
8	9	10	11	12	13	14	3	4	5	6	7	8	9
15	16	17	18	19	20	21	10	11	12	13	14	15	16
22	23	24	25	26	27	28	17	18	19	20	21	22	23
29	30	1	2	3	4	5	24	25	26	27	28	29	30

Sunday	Monday	Tuesday	Wednesday	Thursday	Friday	Saturday
		א 1 4:00 PM Religious School (3rd - 7th Gr.)	ב 2	ג 3 4:30 PM Religious School (6th Gr.)	ד 4 5:30 PM Erev Shabbat Worship	ה 5 10:30AM B'nai Mitzvah Jennifer Adelman, Zachary Ennis & Gabriella Miller
ו 6 9:30 AM Religious School (Kgn - 5th Gr.) 11:45 AM Sunday Madrichim Seminar	ז 7 4:00 PM Religious School (3rd - 7th Gr.) 5:30 PM Monday Madrichim Seminar 6:30 PM Chai School (8th - 12th Gr.)	ח 8 4:00 PM Religious School (3rd - 7th Gr.) 5:30 PM Tuesday Madrichim Seminar	ט 9	י 10 4:30 PM Religious School (6th Gr.)	יא 11 5:30 PM Erev Shabbat Worship - Chai School Graduation & Youth Service	יב 12 9:30AM Family Shabbat 10:30AM B'nai Mitzvah Alexa DiNorscio & Evan Fleisig GadolTY Event (4th & 5th Gr.)
יג 13 9:30 AM Last Sunday Religious School (Kgn - 5th Gr.) Mother's Day	יד 14 4:00 PM Last Monday Religious School (3rd - 7th Gr.) 6:30 PM FBMC 6:30 PM Chai School Closing BBQ	טו 15 4:00 PM Last Tuesday Religious School (3rd - 7th Gr.)	טז 16	יז 17 4:30 PM Last Thursday Religious School (6th Gr.)	יח 18 7:00 PM Erev Shabbat Worship - Women's Association & Brotherhood Service	יט 19 10:30AM B'nai Mitzvah Amanda Geffner, Aaron Yadgaroff & Noah Yadgaroff JeshTY Event (9th - 12th Gr.)
כ 20 Mitzvah Day and Brotherhood BBQ MitzvotTY Event (6th & 7th Gr.)	כא 21 5:30 PM Confirmation Service Rehearsal 6:30 PM FBMC	כב 22 סיון א	כג 23	כד 24	כה 25 5:30 PM Erev Shabbat Worship	כו 26 10:30 AM Bat Mitzvah Amanda Feintuch 5:30 PM Erev Shavuot Confirmation Service
כז 27 Shavuot 10:30 AM Shavuot/ Yizkor Service	כח 28 Temple Offices Closed Memorial Day	כט 29	ל 30	לא 31		

General Goals of Congregation B'nai Jeshurun Religious School

To teach Jewish values of: Torah (learning), Avodah (worship), and Tikkun Olam (social justice);

To foster a positive Jewish identity and a connection with Eretz Yisrael (the land of Israel) and Klal Yisrael (the Jewish people).

Grade	Jewish Studies Curriculum	Hebrew Curriculum	Curricular Enrichment	<i>Avodah</i> Expectation	Family Education Program
4 th Grade	<p><i>Torah & Jewish Ritual:</i> To become familiar with the books of the <i>Torah</i> & the Prophets; To understand rituals as a means of marking sacred events in Jewish time & the cycle of our lives</p>	<p>To understand the meaning of and to feel confident reading the following: <i>Brachot, Brachot shel Shabbat, Kiddush, Bare'chu Ma'ariv Aravim/Yotzer Or, Shema, Birchot HaTorah</i></p>	<p>Art Music Multi-Media <i>Tu B'Shevat program</i> <i>Pesach program</i> <i>Tikkun Olam projects</i></p>	<p>Our Fourth Grade students are asked to attend a minimum of 4 <i>Shabbat</i> services at TBJ during the school year</p>	<p>4th grade families are expected to attend two Family <i>Shabbat</i> services during the school year. <i>Shabbat</i> morning (9:30-11:30) 10/15, 11/12, 12/10, 1/14, 2/11, 3/10, 5/12 <i>Erev Shabbat</i> (5:45pm) 9/16 & 4/20</p>
5 th Grade	<p>Jewish History: To be introduced to the scope of Jewish history; To understand the Biblical period through the age of freedom; To learn about specific defining events in Jewish history</p>	<p>To understand the meaning of and to feel confident reading the following: <i>V'ahavta, Mi Camocha, Avot v'Imahot, G'vurot, K'dushah, Shalom Rav, Sim Shalom, Oseh Shalom</i></p>	<p>Art Music Multi-Media <i>Tu B'Shevat program</i> <i>Pesach program</i> <i>Tikkun Olam projects</i></p>	<p>Our Fifth Grade students are asked to attend a minimum of 5 <i>Shabbat</i> services at TBJ during the school year</p>	<p>5th grade families are expected to attend two Family <i>Shabbat</i> services during the school year. <i>Shabbat</i> morning (9:30-11:30) 10/15, 11/12, 12/10, 1/14, 2/11, 3/10, 5/12 <i>Erev Shabbat</i> (5:45pm) 9/16 & 4/20</p>
6 th Grade	<p><i>Middot, Holocaust & Comparative Religion:</i> I. <i>Middot</i> (Jewish Values) To learn ethics/<i>middot</i> and apply these concepts to daily life II. <i>HaShoah</i> (Holocaust studies) To understand anti-Semitism; To understand the facts of the Holocaust from a Jewish child's perspective; III. <u><i>Klal Olam</i> (People of the world)/ Comparative Religion</u> To better understand our own and other religions; To learn a respect and understanding of other cultures</p>	<p>To understand the meaning of and to feel confident reading the following: <i>Ki Mitzion, Birchot HaHaftarah, V'zot HaTorah, Eitz Chayim Hi, Ein Kamocha, Av Harahamim, Aleinu, Kaddish</i></p>	<p>Art Music Multi-Media <i>Tu B'Shevat program</i> <i>Pesach program</i> <i>Tikkun Olam projects</i></p>	<p>Our Sixth Grade students are asked to attend a minimum of 6 <i>Shabbat</i> services at TBJ during the school year</p>	<p>6th grade families are expected to attend two Family <i>Shabbat</i> services during the school year. <i>Shabbat</i> morning (9:30-11:30) 10/15, 11/12, 12/10, 1/14, 2/11, 3/10, 5/12 <i>Erev Shabbat</i> (5:45pm) 9/16 & 4/20</p>

June 2012

סיון תשע"ב - תמוז תשע"ב

May 2012

S	M	T	W	T	F	S
29	30	1	2	3	4	5
6	7	8	9	10	11	12
13	14	15	16	17	18	19
20	21	22	23	24	25	26
27	28	29	30	31	1	2

July 2012

S	M	T	W	T	F	S
1	2	3	4	5	6	7
8	9	10	11	12	13	14
15	16	17	18	19	20	21
22	23	24	25	26	27	28
29	30	31	1	2	3	4

Sunday	Monday	Tuesday	Wednesday	Thursday	Friday	Saturday
					יא 1 5:30 PM Erev Shabbat Worship	יב 2 10:30AM B'nai Mitzvah Emily Cohen, Elizabeth Hersch & Ross Koplitz
יג 3 Kimat JeshTY/ JeshTY End of the Year Event (8th -12th Grades)	יד 4 6:30 PM FBMC	טו 5	טז 6	יז 7	יח 8 5:30 PM Erev Shabbat Worship	יט 9 10:30AM B'nai Mitzvah Amanda Baum, Talia Fruchtman & Jared Lapenta
כ 10	כא 11 6:30 PM FBMC	כב 12	כג 13	כד 14	כה 15 5:30 PM Erev Shabbat Worship - Pride Shabbat	כו 16 10:30 AM Bat Mitzvah Julia Tarnow
כז 17	כח 18	כט 19	ל 20	תמוז א 21	ב 22 5:30 PM Erev Shabbat Worship	ג 23
ד 24	ה 25	ו 26	ז 27	ח 28	ט 29 5:30 PM Erev Shabbat Worship	י 30

B'nai Mitzvah Program

The *B'nai Mitzvah* program at TBJ is coordinated through the Rabbis' and Cantor's office. If you have any specific questions pertaining to your child becoming *Bar* or *Bat Mitzvah*, please contact the Rabbis or Cantor directly.

Any child interested in becoming a *Bar* or *Bat Mitzvah* at TBJ must have either participated in the Sunday and midweek program beginning in the 3rd grade, or the equivalent of our program, as determined by the Director. All children becoming *B'nai Mitzvah* at TBJ are required to be currently enrolled in the TBJ Religious School and to complete all appropriate assignments. Children are expected to continue their Jewish education through graduation from Chai School at the end of the 12th grade.

Chai School Program (8th – 12th Grades)

The Chai School program was created in order to provide opportunities for 8th-12th graders to:

- Explore text, ethics, history and culture in the context of contemporary living;
- Guide students towards gaining a better understanding of the values of being members of the TBJ family as well as the greater Jewish community;
- Recognize the importance of mitzvot in Jewish life and its impact upon the community;
- Meet our oldest students' diverse interests and appeal to their needs for community and identity.

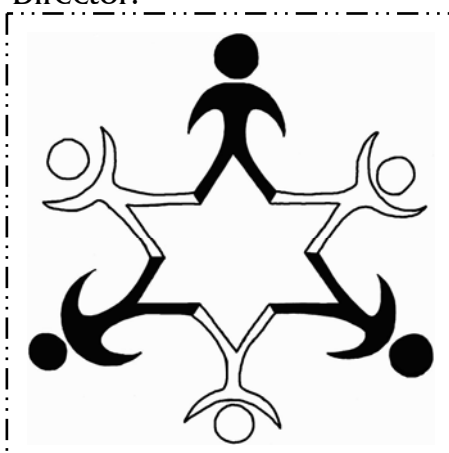
For more information about the Chai School program please contact Christina Broussard, Assistant Director of Religious school at cbroussard@tbj.org.

Family B'nai Mitzvah Class

Our clergy and educators are very excited to present a new component of the *b'nai mitzvah* experience – The Family *B'nai Mitzvah* Class (FBMC). In place of the *D'var Torah* Workshop and 7-4-7 Programs, families will now have the opportunity to learn together, both about your child's Torah portion and this sacred life-cycle event.

FBMC will take place over 4 consecutive Monday nights, from 6:30-8:00 pm approximately 5 months before your child's *Bar/Bat Mitzvah*. FBMC cycles will be held 5 times

throughout the year in order to keep the classes small and to allow families to connect with the clergy. Dinner will be served at each session and members of our clergy team will be the teachers for this class.



Madrachim (Leadership) Program

This program is an excellent opportunity for post *b'nai mitzvah* students to gain leadership skills in a character-building environment.

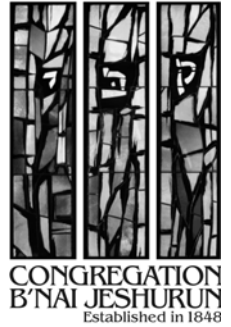
Students may apply to become a teachers' assistant on Sunday mornings, Monday and/or Tuesday afternoons. Contact Sarah Silversten, Madrichim Coordinator at ssilversten@tbj.org for more information.

YOUTH GROUP! (Kimat JeshTY and JeshTY)

The youth groups at TBJ are wonderful ways to get together with old TBJ friends and to make some new ones. Group specific events are held throughout the year including trips to sports events, social action/community service and hibachi dinners. Membership in youth group has many benefits including discounts at events and being included in our mailing list.

Contact Sarah Silversten, Youth Advisor at ssilversten@tbj.org for more information.

Who's Who in the TBJ Religious School & Frequently Asked Questions...



In order to be most responsive to the needs of our Religious School students and their families, we have updated our calendar and handbook which contains the answers to your most frequently asked questions regarding curriculum, procedures, and policies.

We are proud to welcome some new faces and welcome back returning staff who will wear new hats to facilitate an outstanding new school year.

All our doors are always open to each of our families; however, we hope that this quick guide will help you find the answers to your questions in a most efficient manner.

Contact the school by calling 973-379-3177 or by emailing religiousschool@tbj.org.

<p style="text-align: center;">Alison Ventrella Administrative Assistant ext. 6675 or aventrella@tbj.org</p>	<p style="text-align: center;">Christina M. Broussard Assistant Director of Religious School ext. 6635 or cbroussard@tbj.org</p>	<p style="text-align: center;">Abra P. Lee Director of Religious School ext. 6676 or alee@tbj.org</p>
<ul style="list-style-type: none"> • When is school in session? What is my child's schedule? • How do I reach my child's teacher? • How do I arrange an early pick-up for my child? • How do I make an appointment to discuss an educational matter with my child's teacher or with the Director? • How will my child's attendance at services be recorded? • Who do I contact if my child will be absent or late? • My child has a food allergy. Will food be served during my child's program? 	<ul style="list-style-type: none"> • How do I register my child for Religious School? • Attendance Expectations – What if my child must miss a class? • What will my 6th grader be learning on Thursdays? • When does my 8th – 12th grader have classes or programs? • How can my child join one of our fantastic youth groups or the next event? <ul style="list-style-type: none"> ○ KatanTY for 2nd & 3rd Grades ○ GadolTY for 4th & 5th Grades ○ MitzvotTY for 6th & 7th Grades ○ Kimat JeshTY for 8th Grade ○ JeshTY for 9th – 12th Grades • Who are the Youth Advisors? Who will chaperone my child at a youth group event? 	<ul style="list-style-type: none"> • How are students assigned to classes? • How can I learn more about the curriculum for my child's grade? • How will my child's progress be measured and reported? • My child has special needs. Can the program be modified to meet my child's needs? • I have a question about what my child is learning in school and want to know more. • How can I help my child succeed in Jewish Culture and Hebrew studies? • How can I be involved in my child's Jewish education?

Temple Youth Calendar at a Glance

KatanTY

(2nd – 3rd)

October 2nd

December 11th

February 12th

March 11th

April 15th

GadolTY

(4th – 5th)

October 15th

December 3rd

January 28th

March 17th

May 12th

MitzvotTY

(6th – 7th)

October 23rd

December 4th

February 5th

April 15th

May 20th

(8th)

Kimat JeshTY

September 17th

November 19th

January 21st

March 3rd

June 3rd

JeshTY (dates subject to change)

(9th – 12th)

September 17th

October 22nd

November 19th

December 10th

January 21st

February 11th

March 3rd

April 14th

May 19th

June 3rd



להתראות

L'hitraot

'Till We Meet Again



CONGREGATION
B'NAI JESHURUN
Established in 1848

1025 South Orange Avenue, Short Hills, NJ 973-379-3177